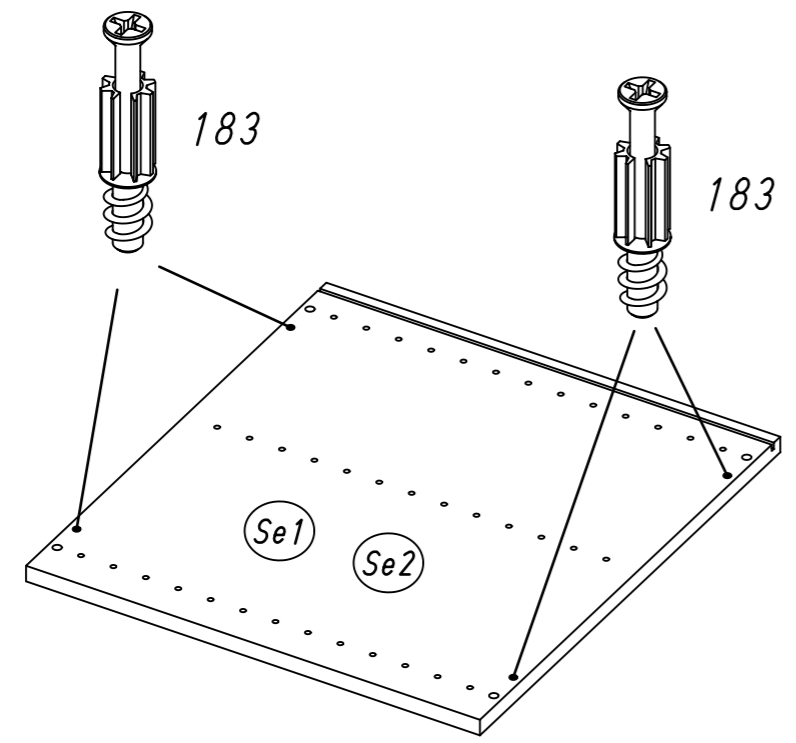
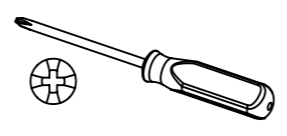
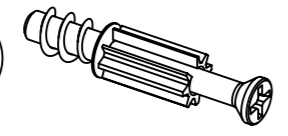


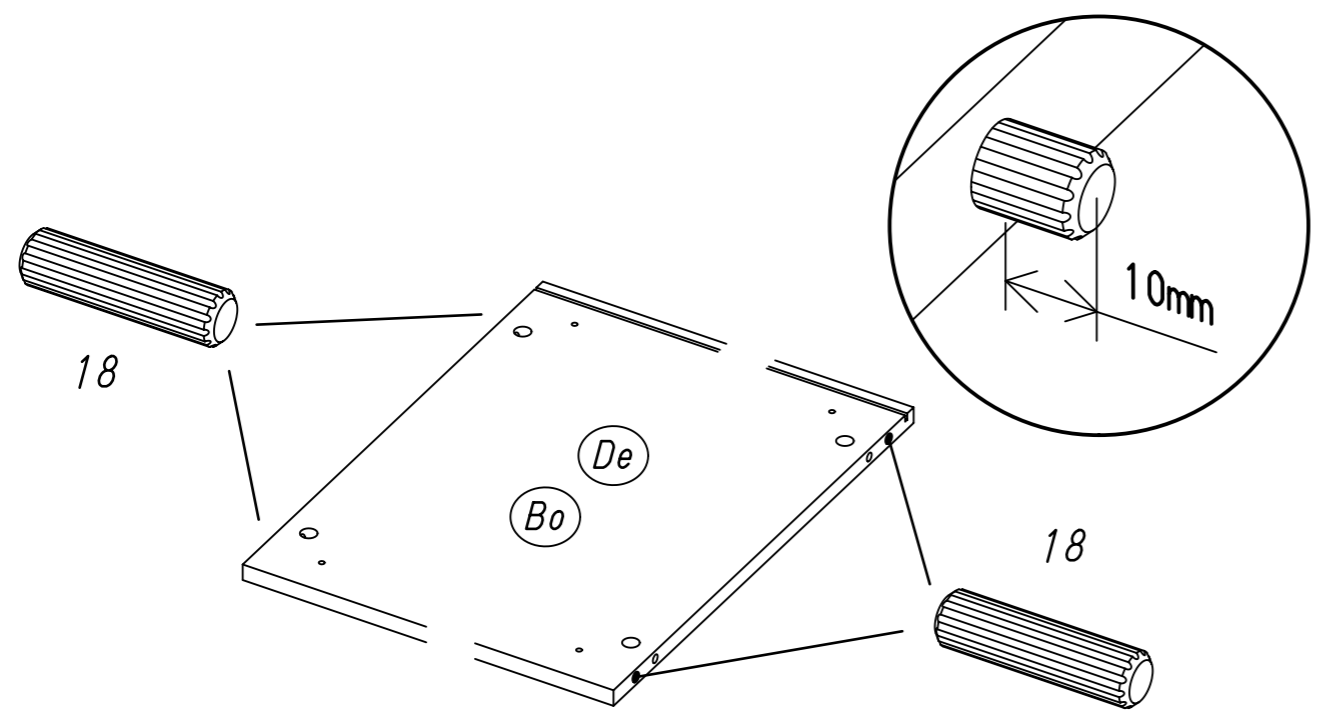
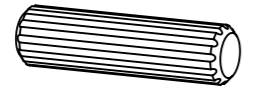
1

8x 183



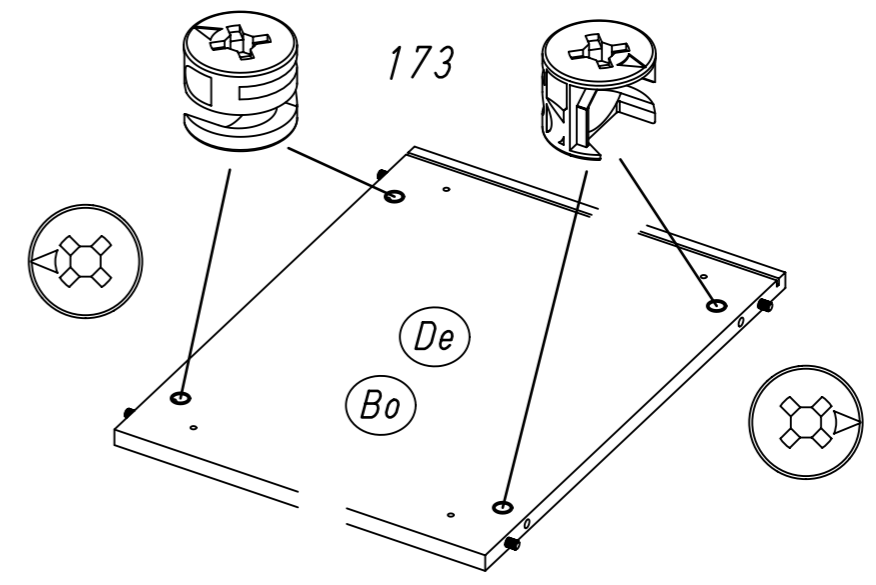
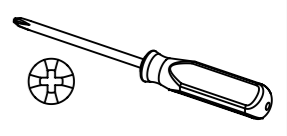
2

8x 18
8x30

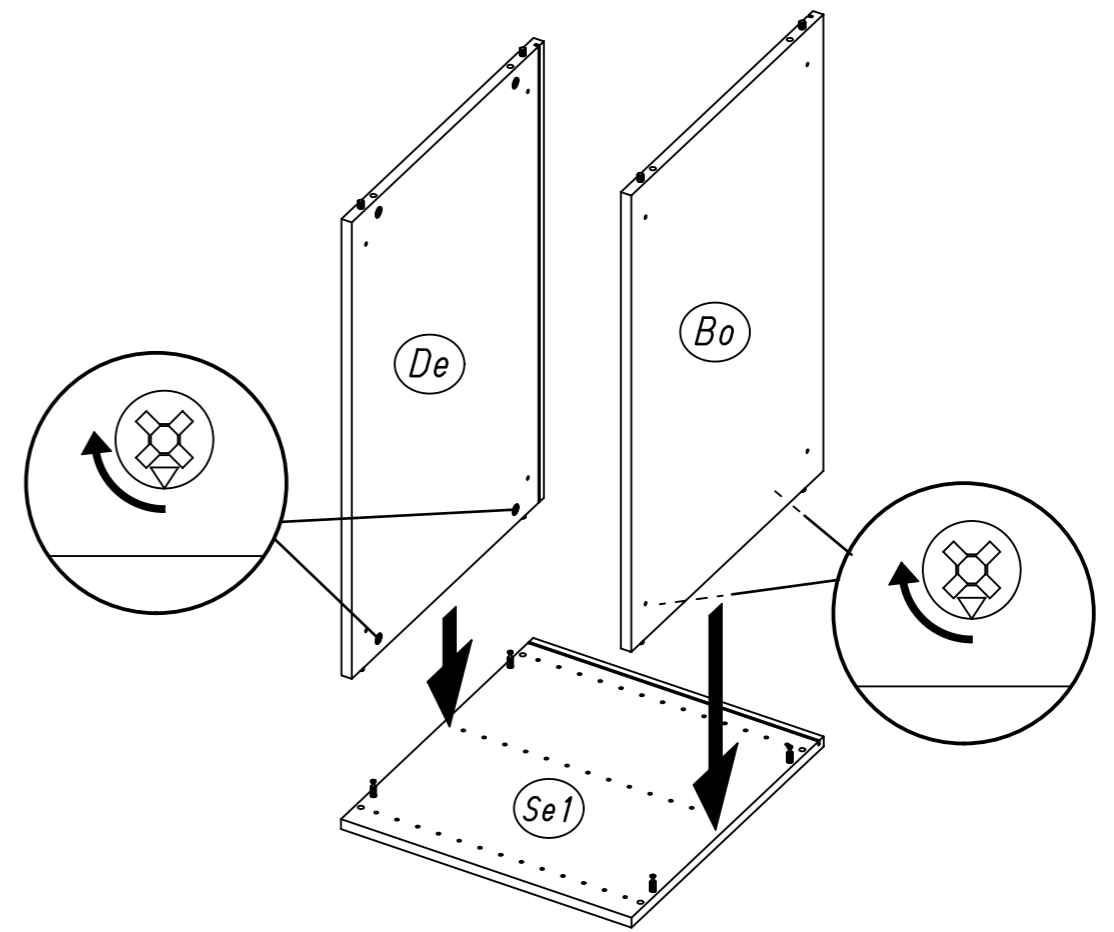
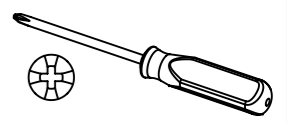


3

8x 173

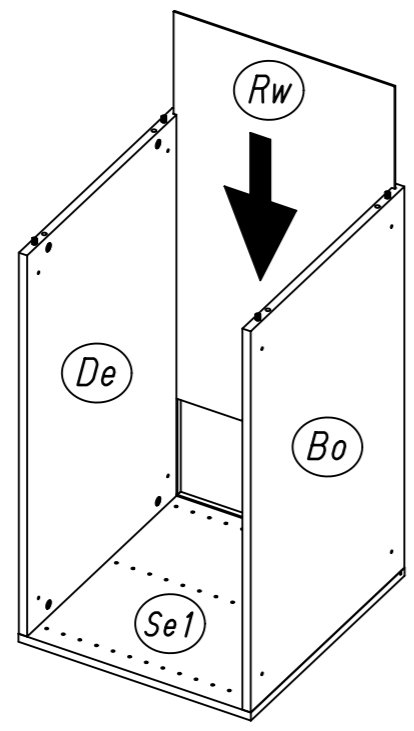


4

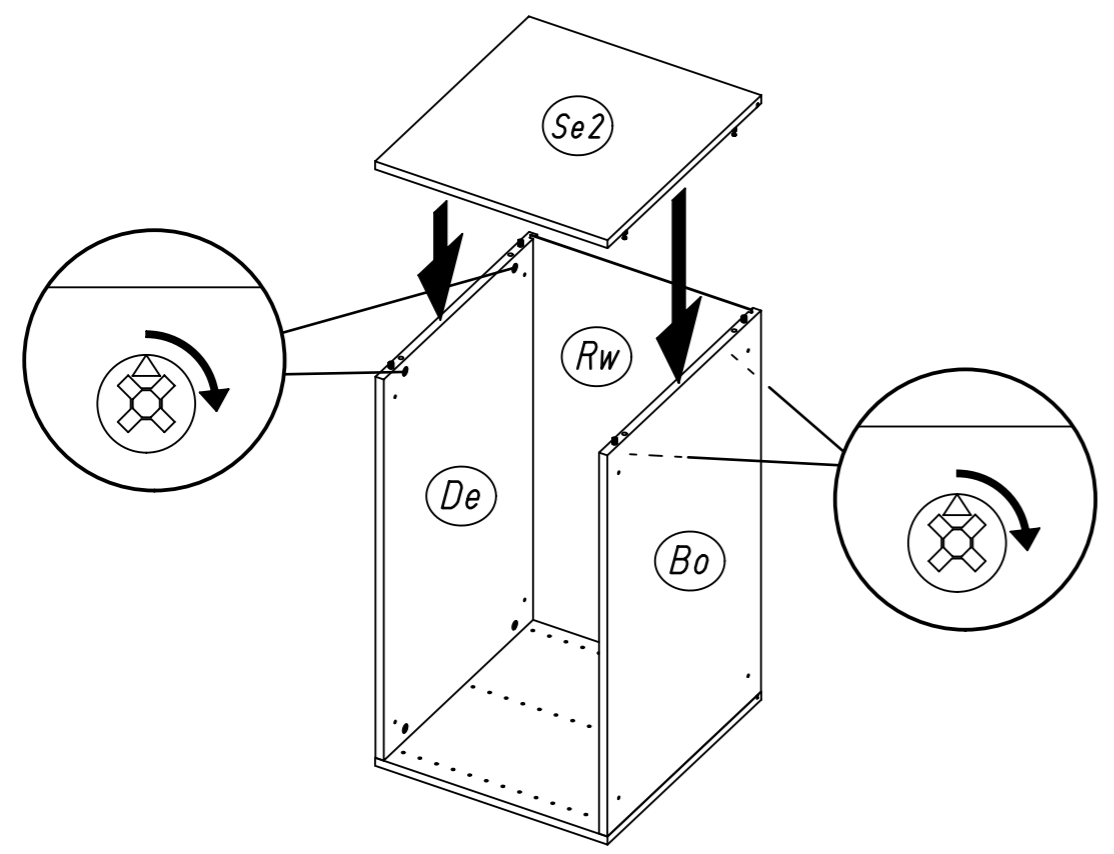
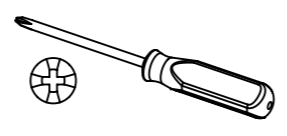


5.

5



6

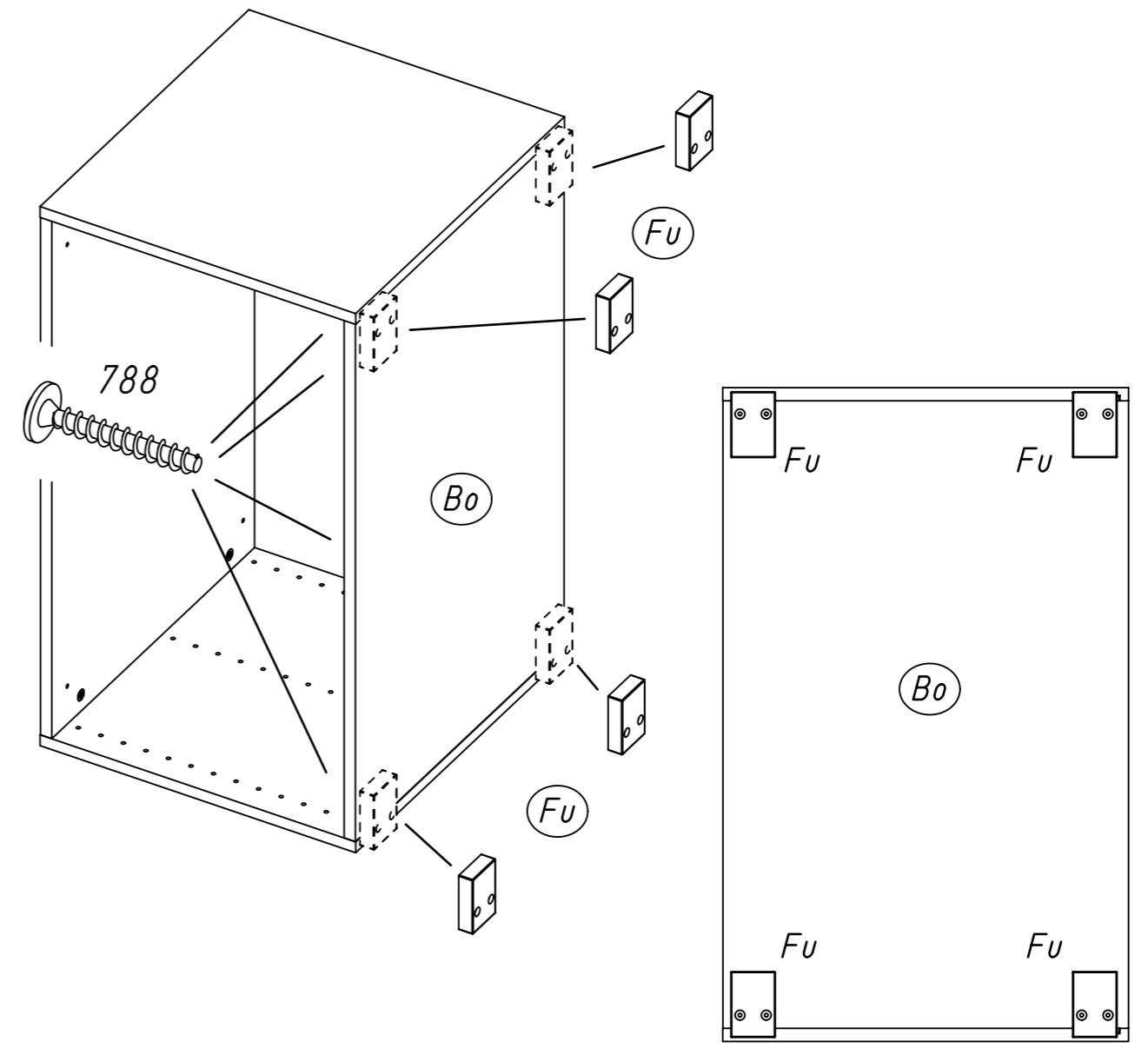
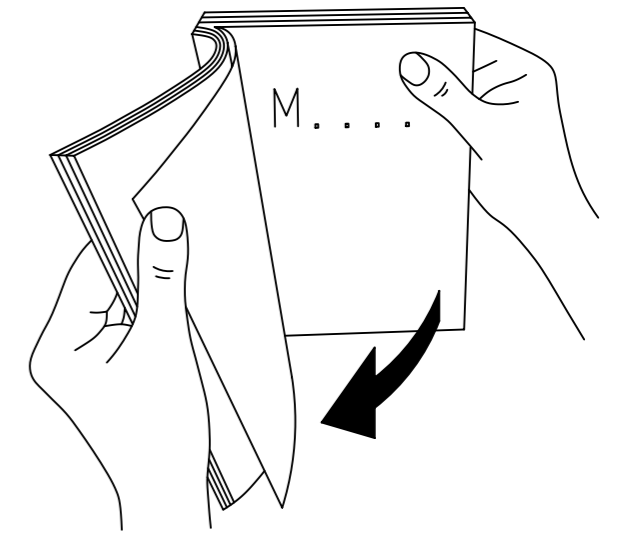
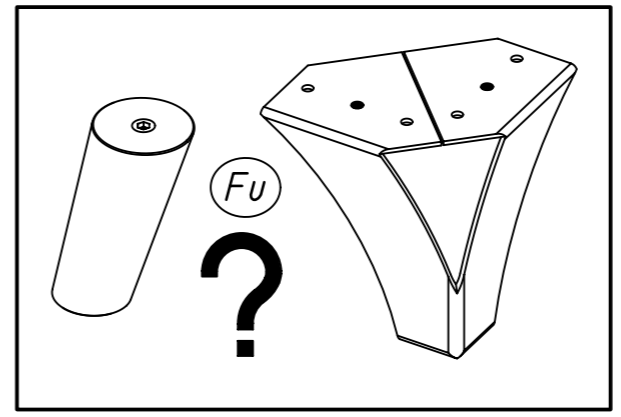
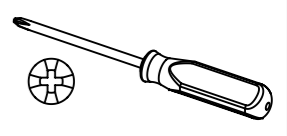
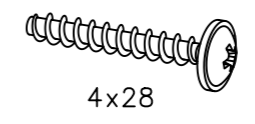


M2399

6.

7

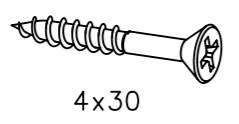
4x 788



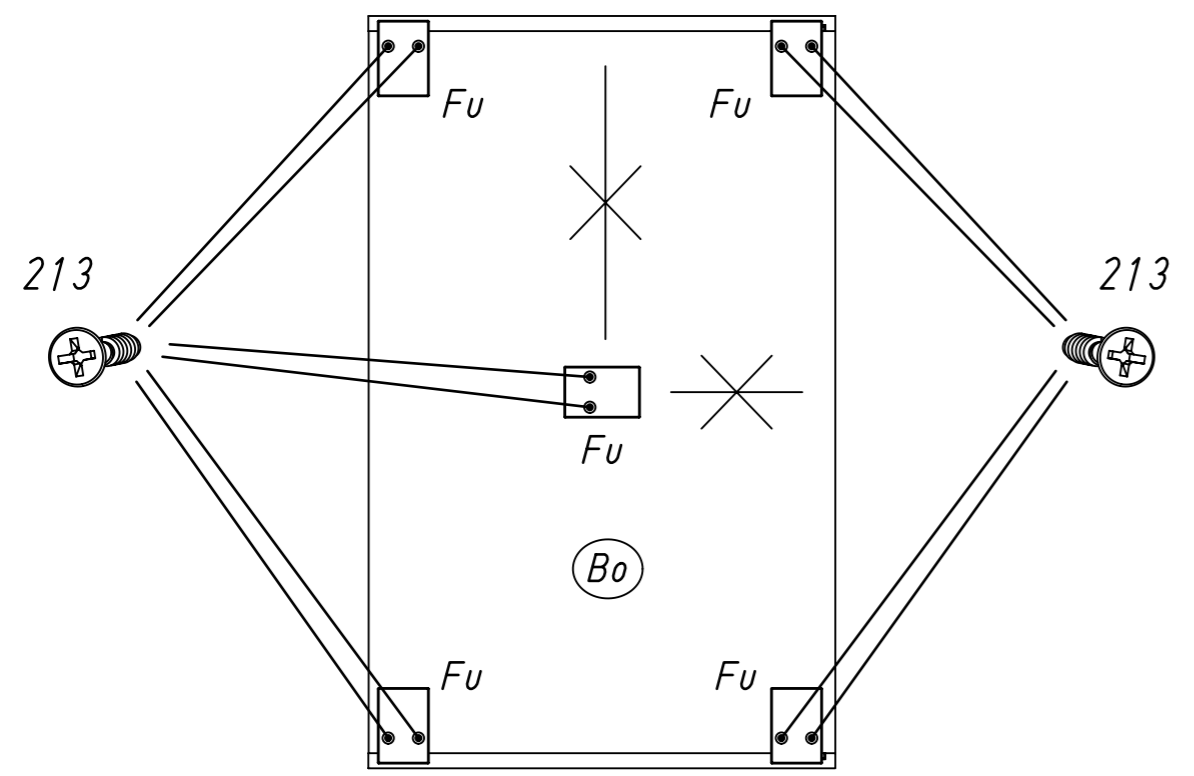
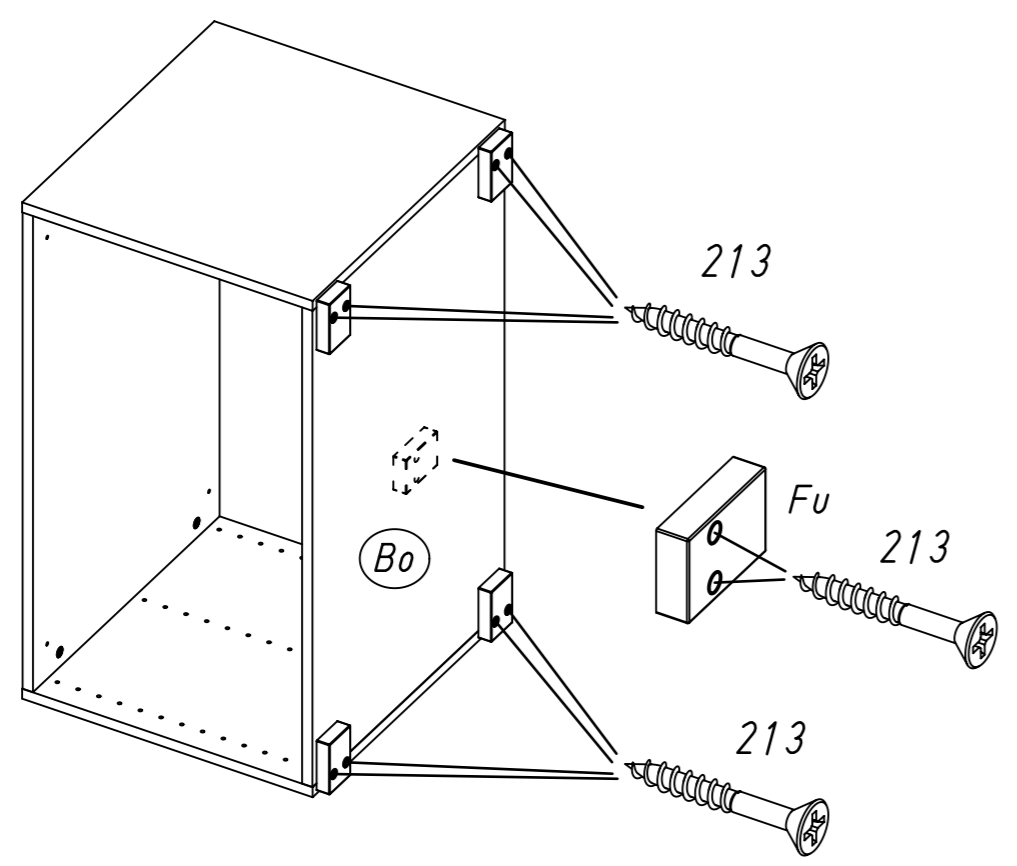
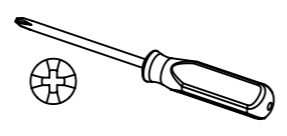
M2399

8

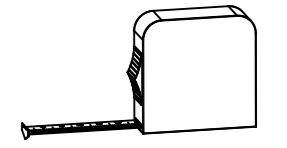
10x 213



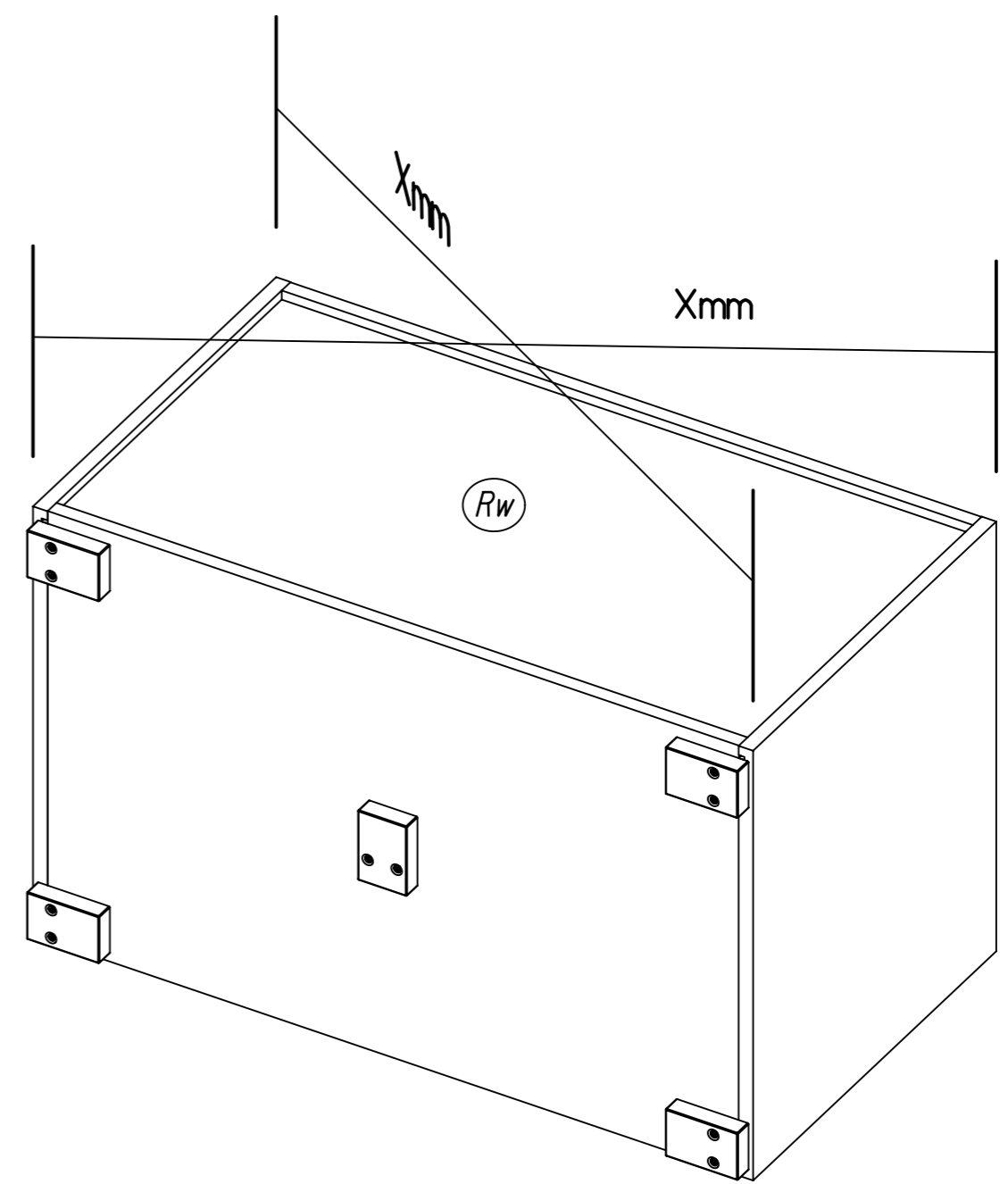
4x30



9



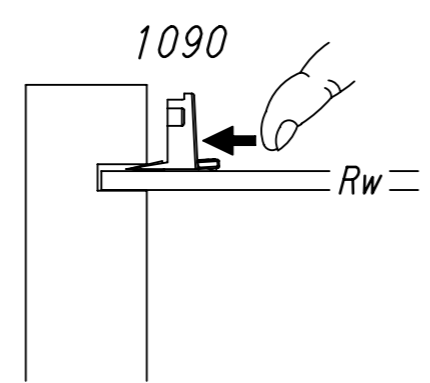
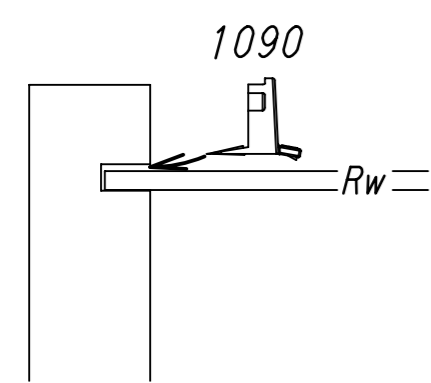
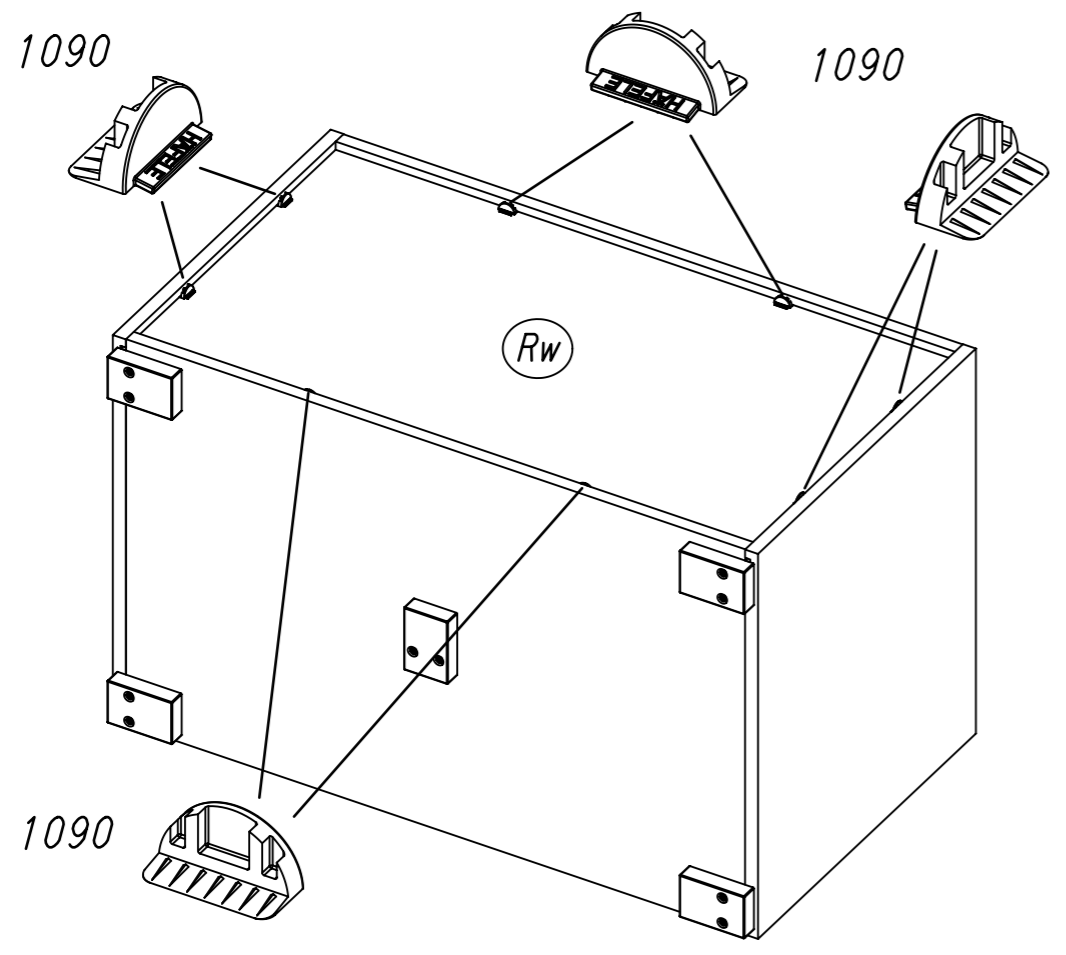
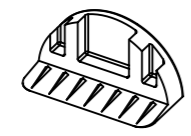
Xmm = Xmm



10

8x

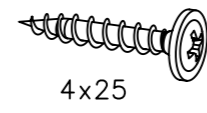
1090



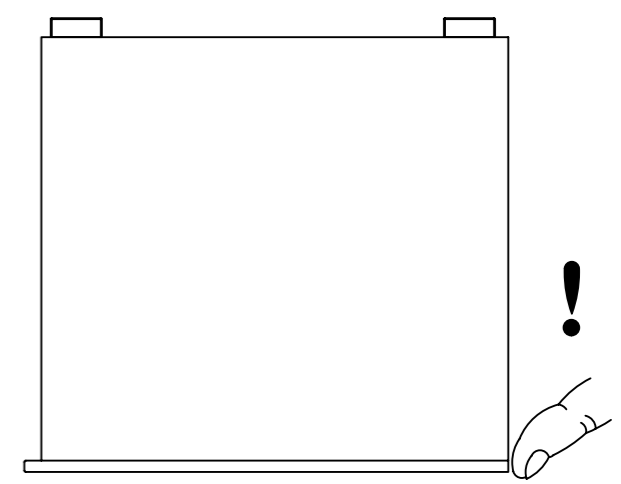
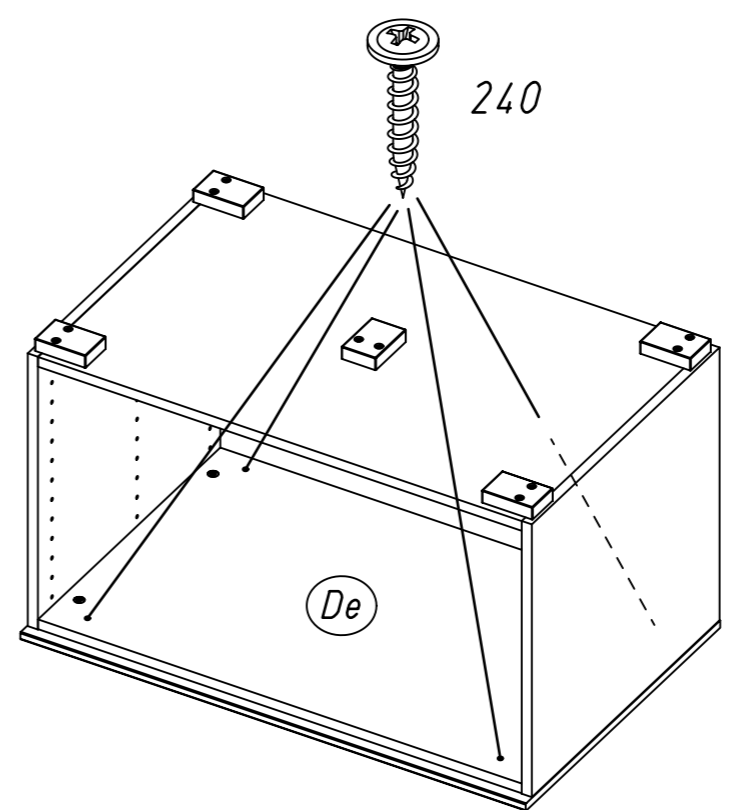
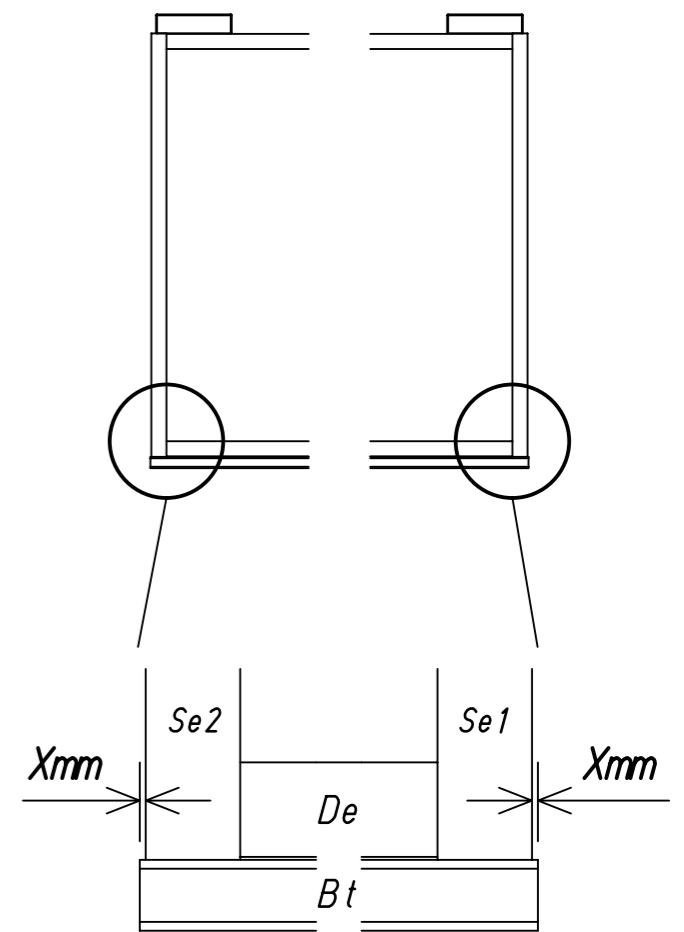
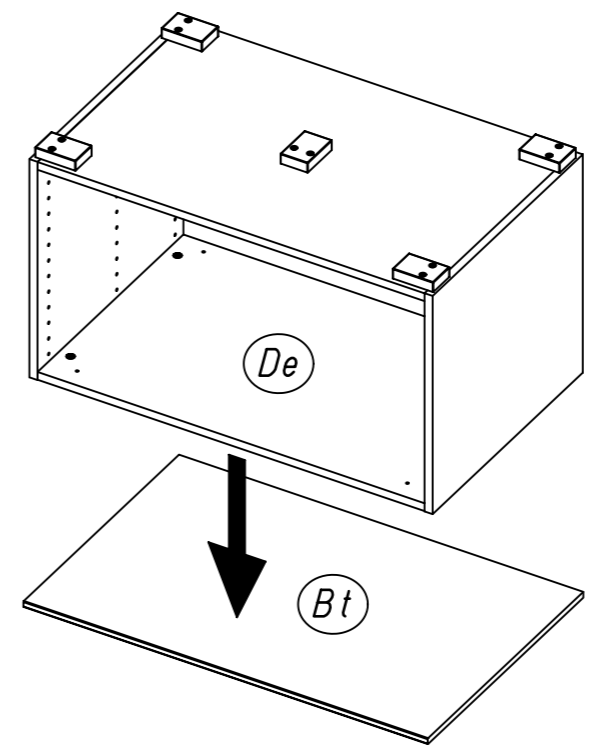
11

4x

240

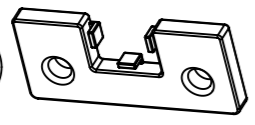


4x25

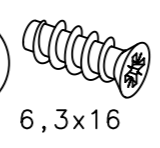


12

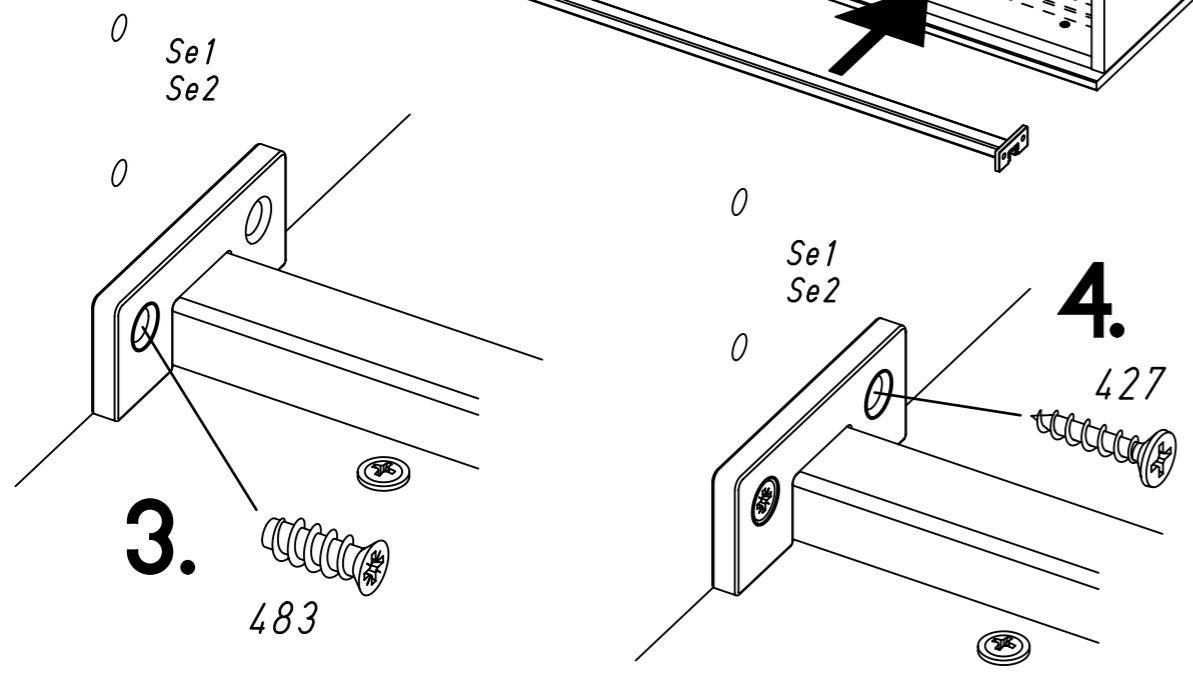
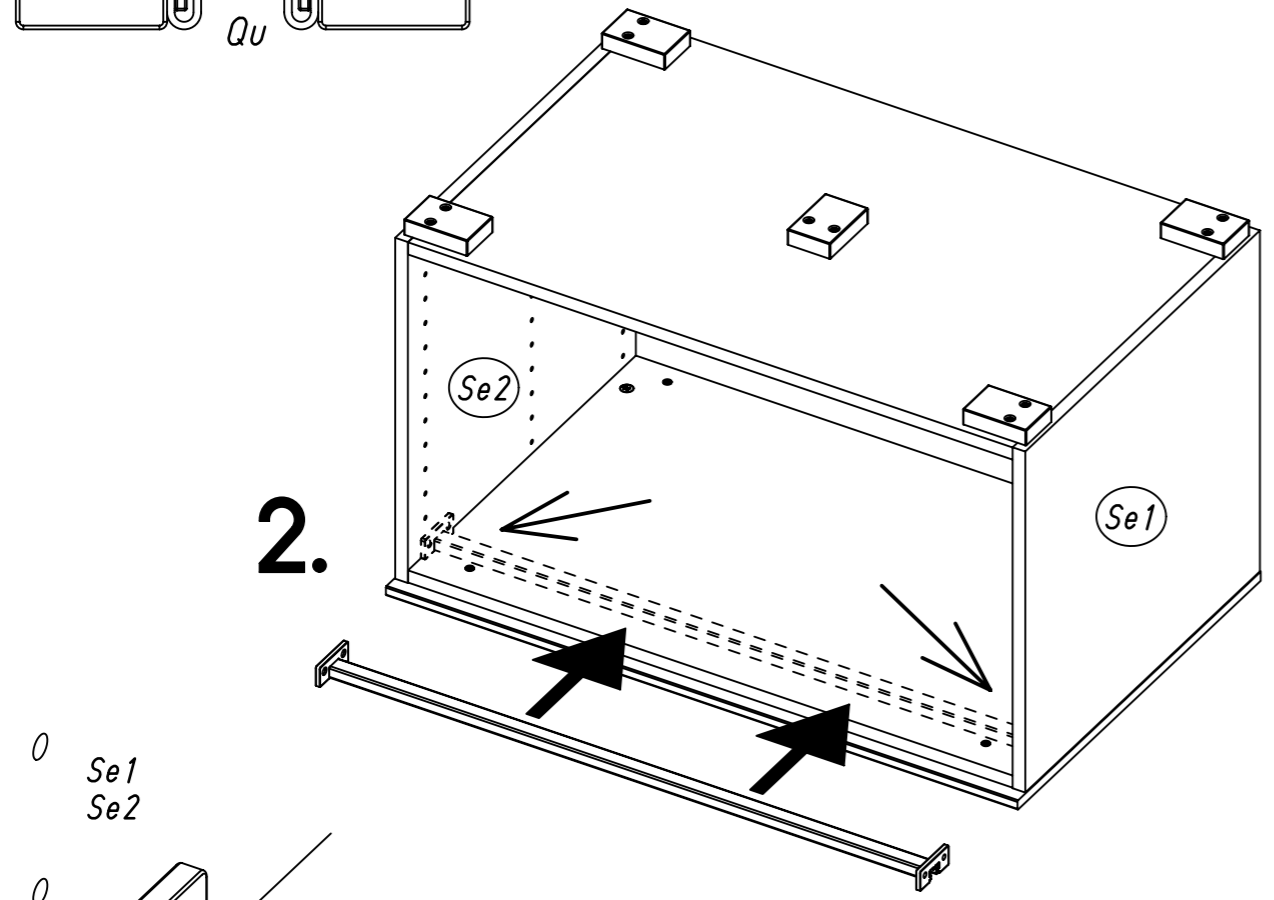
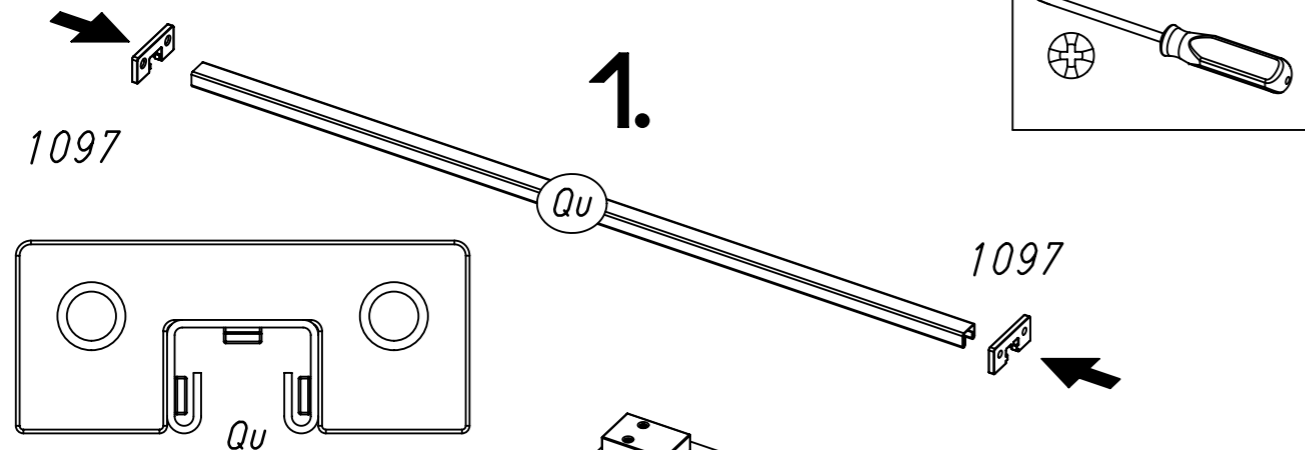
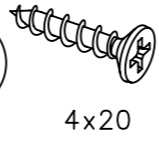
2x 1097



2x 483



2x 427



13

8x 449

