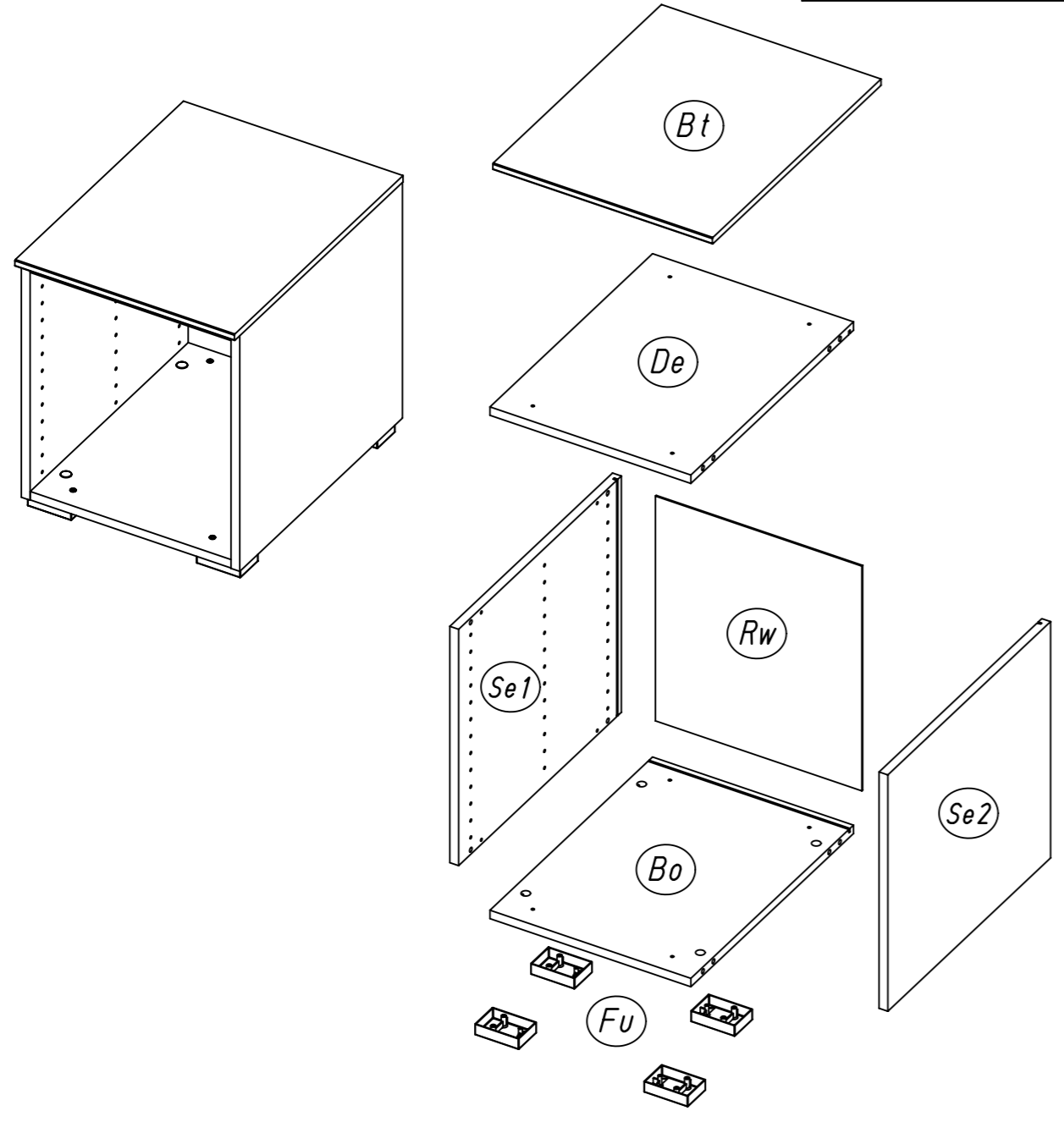
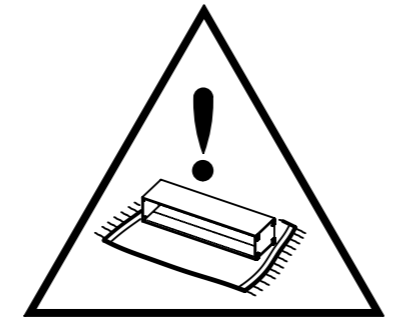
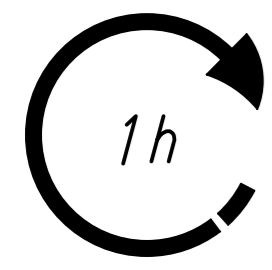
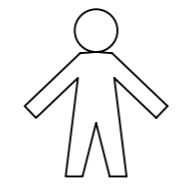
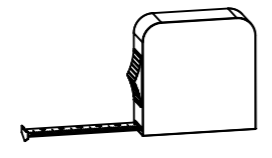
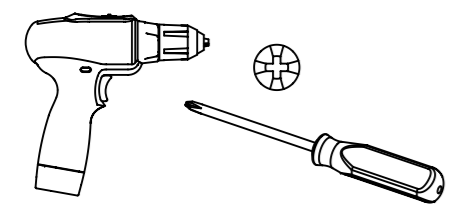


1.

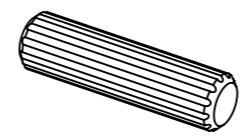
M2398_01

rauch



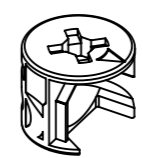
2.

18

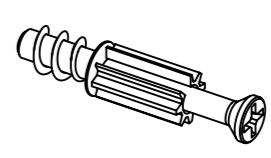


8x30

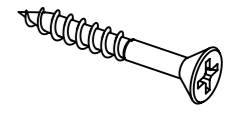
173



183

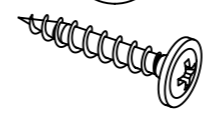


213



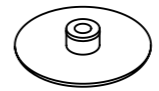
4x30

240



4x25

449



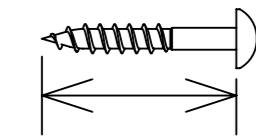
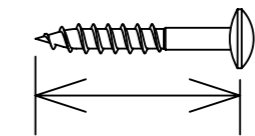
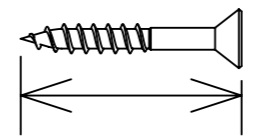
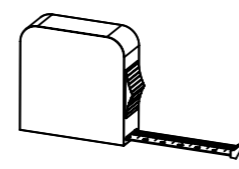
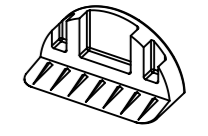
ø18

788



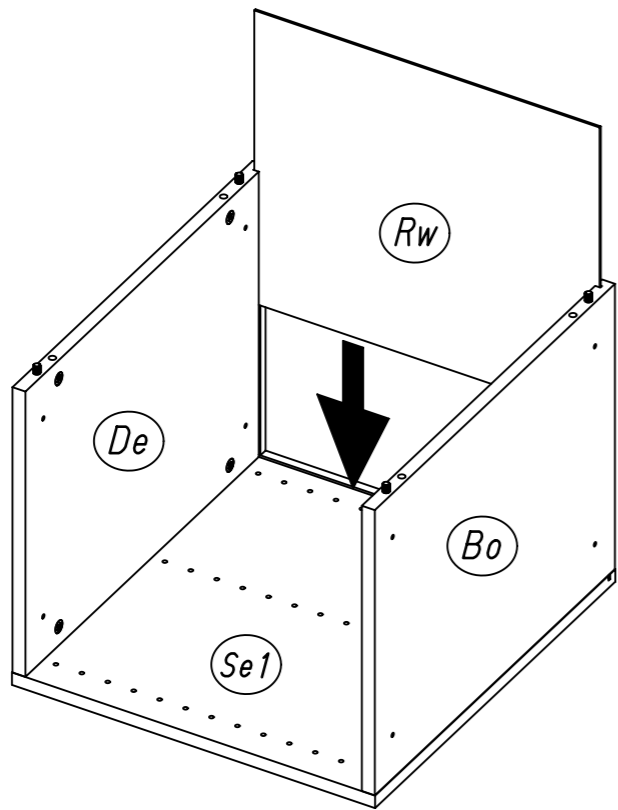
4x28

1090

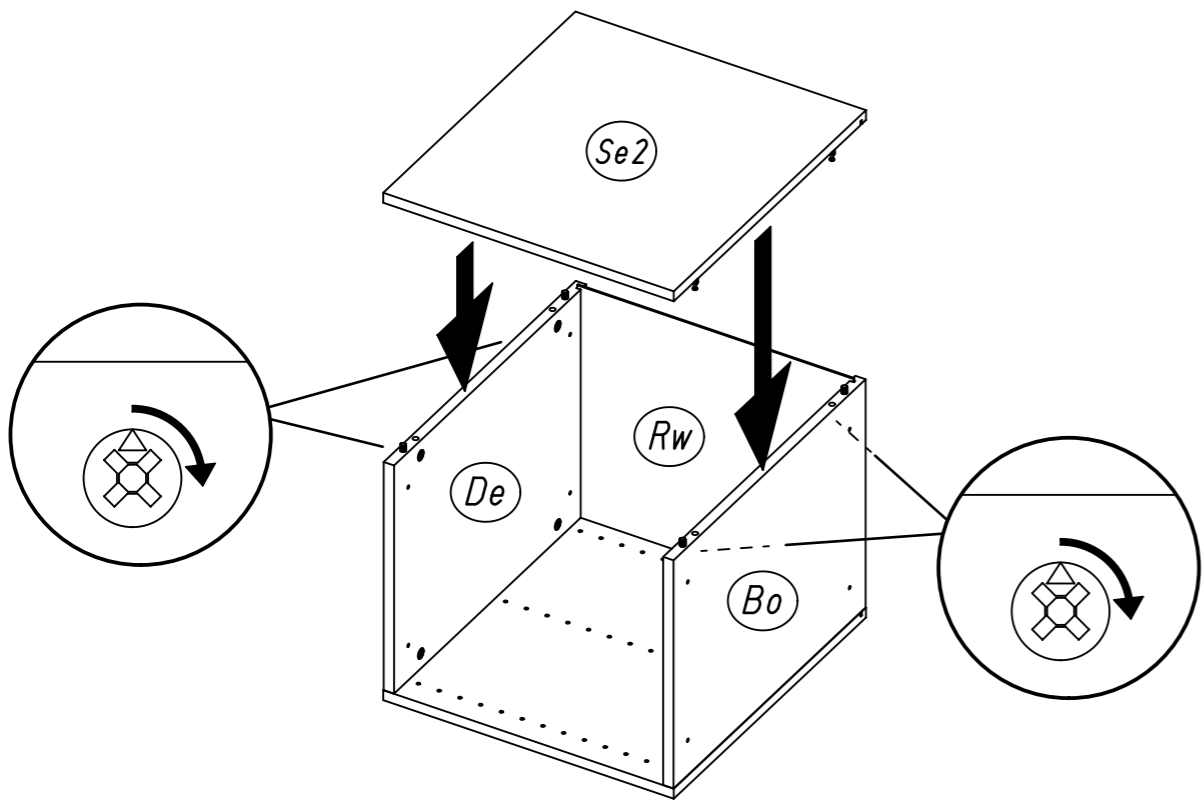
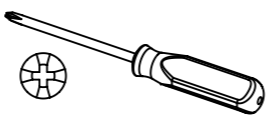


5.

5



6



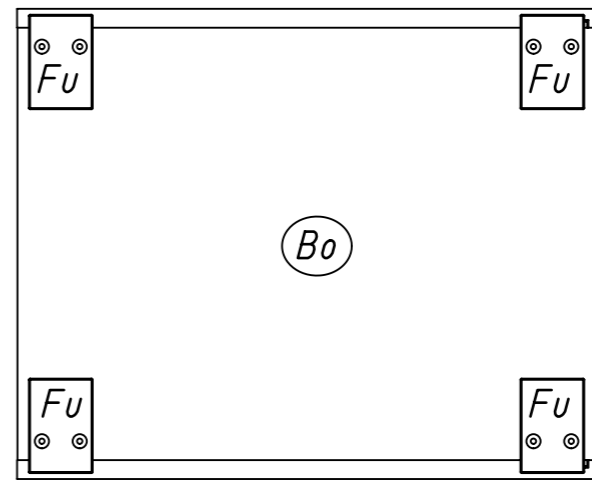
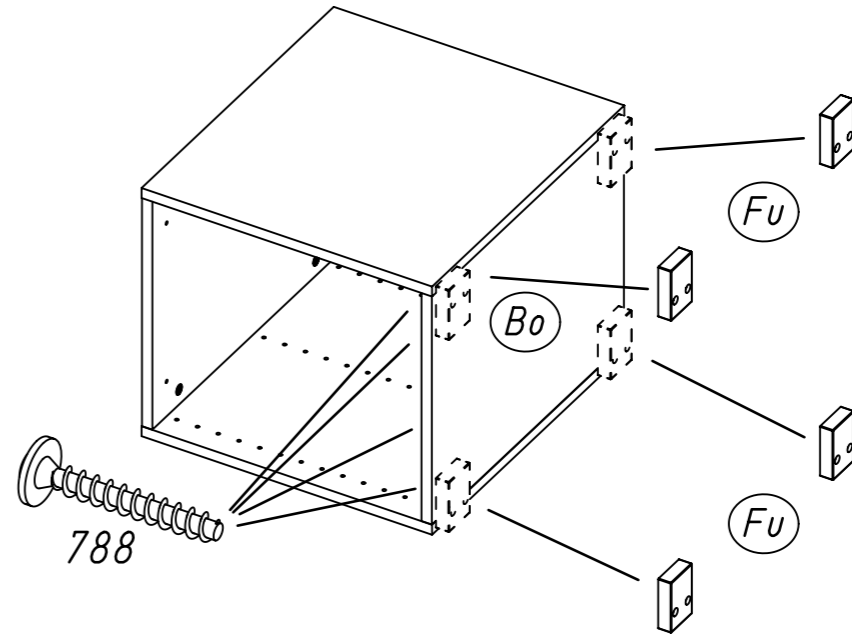
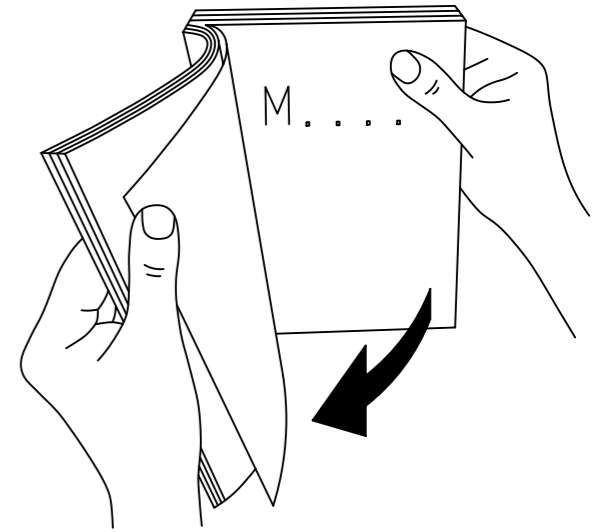
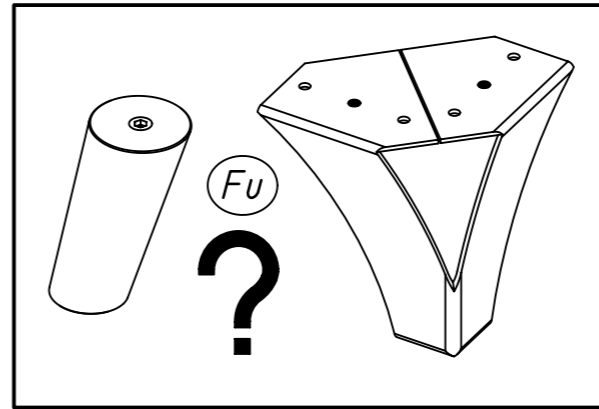
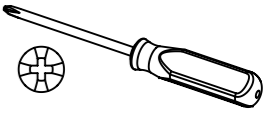
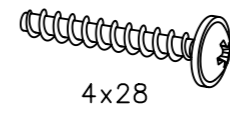
M2398

6.

7

4x

788

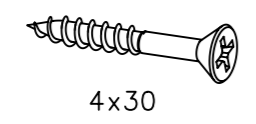


M2398

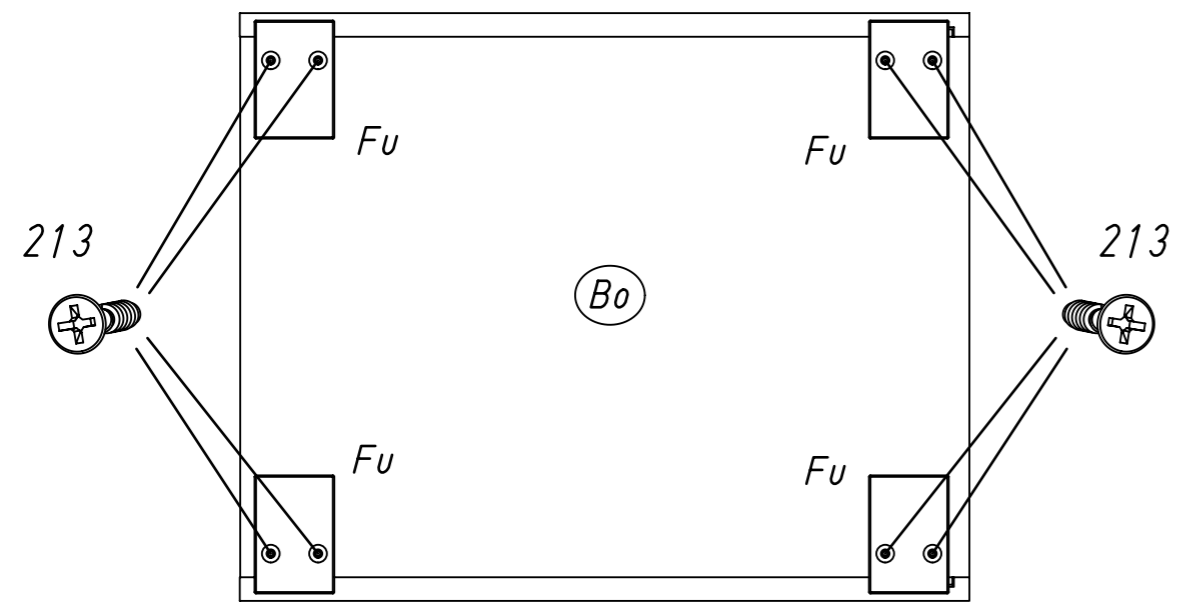
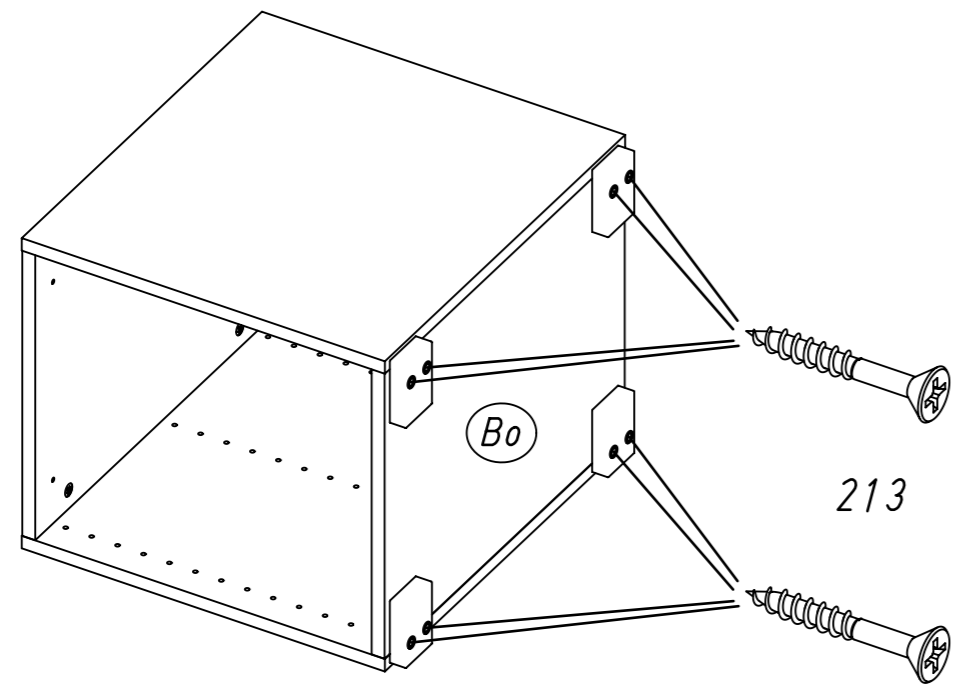
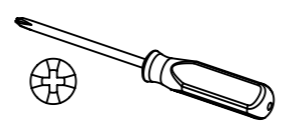
8

8x

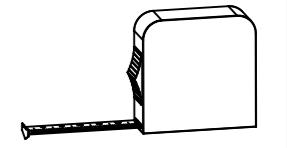
213

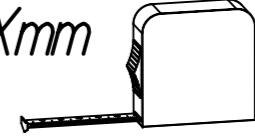


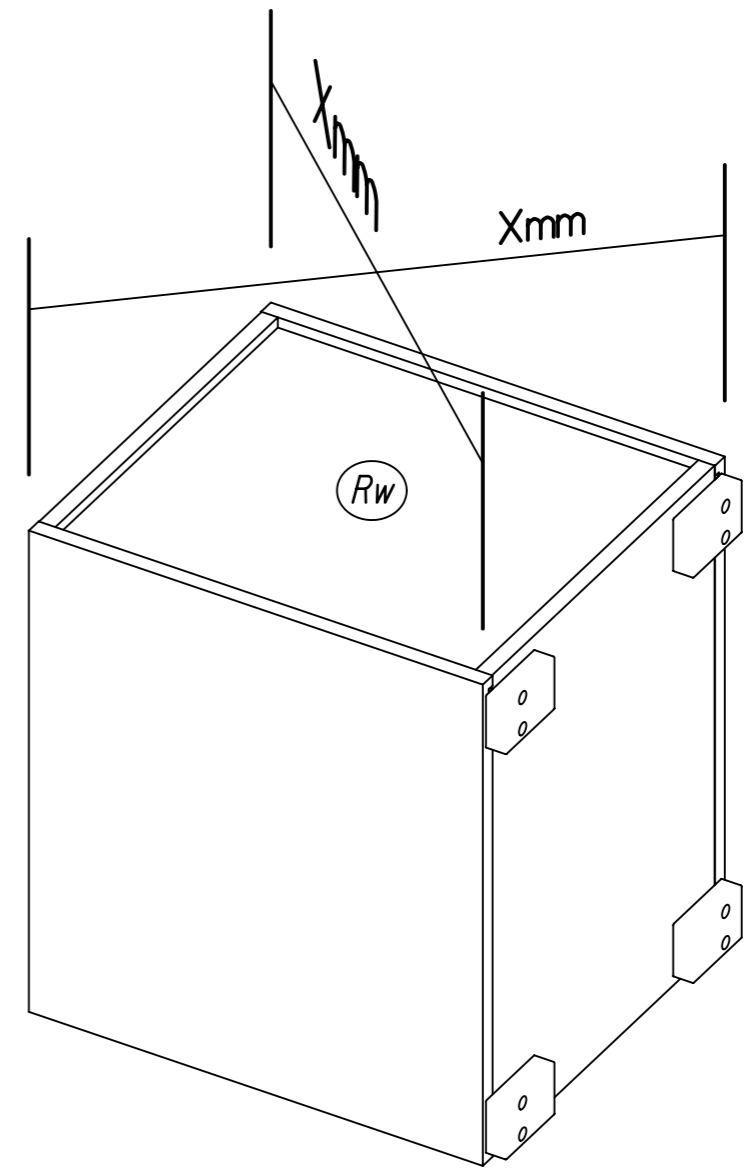
4x30



9



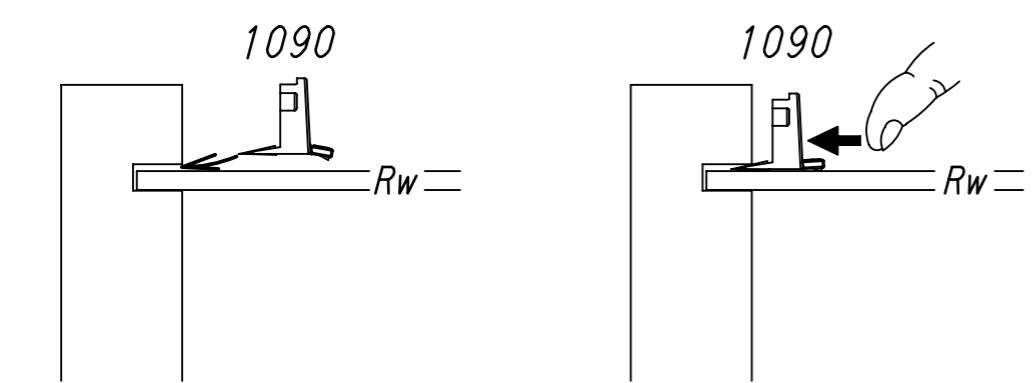
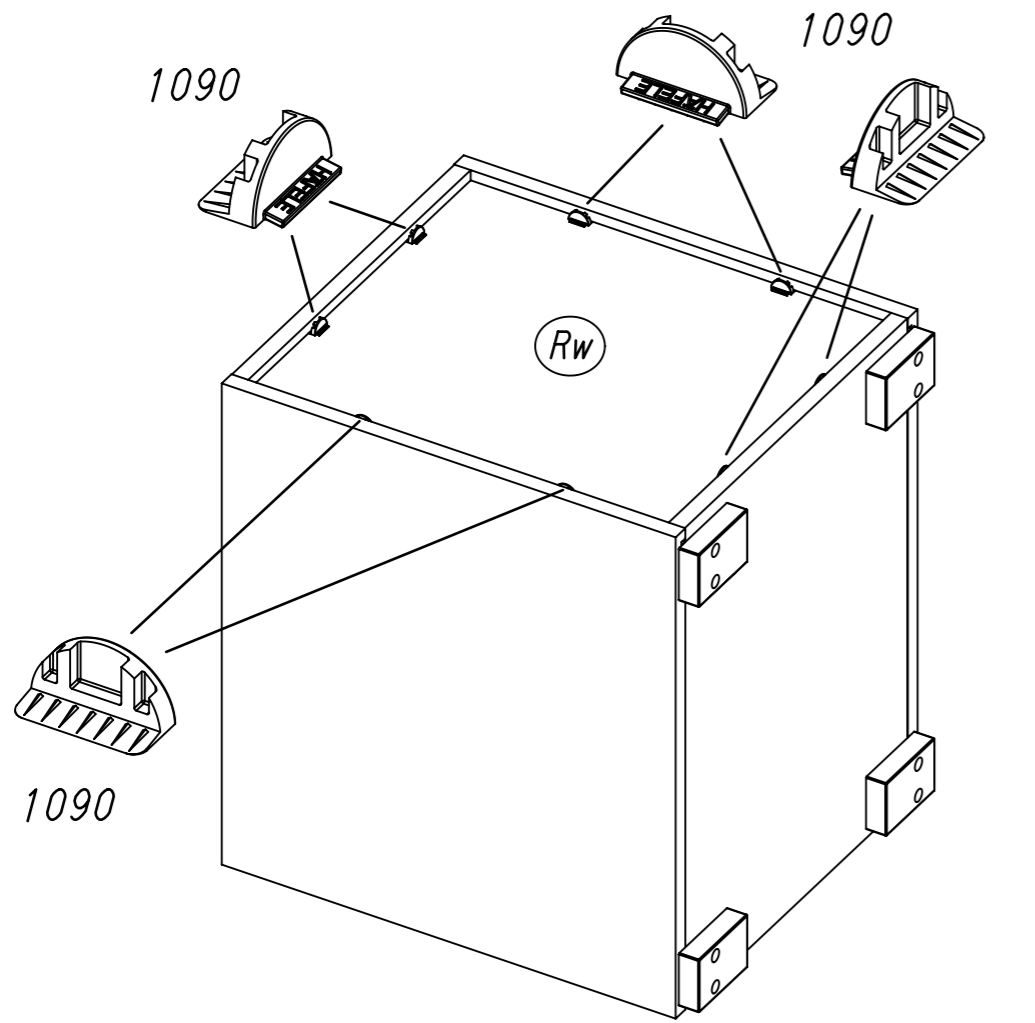
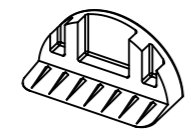
Xmm = Xmm 



10

8x

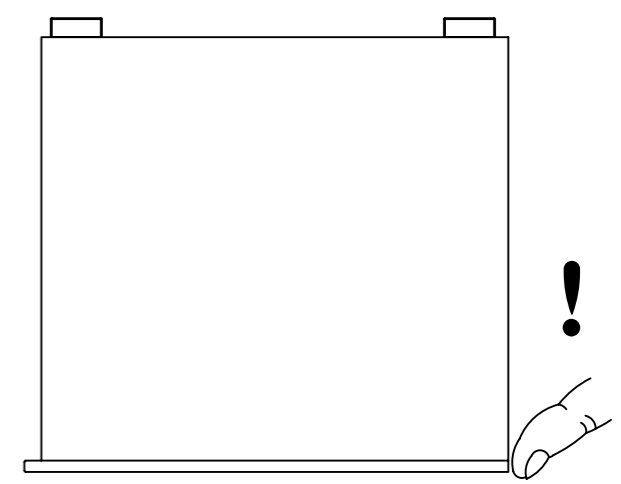
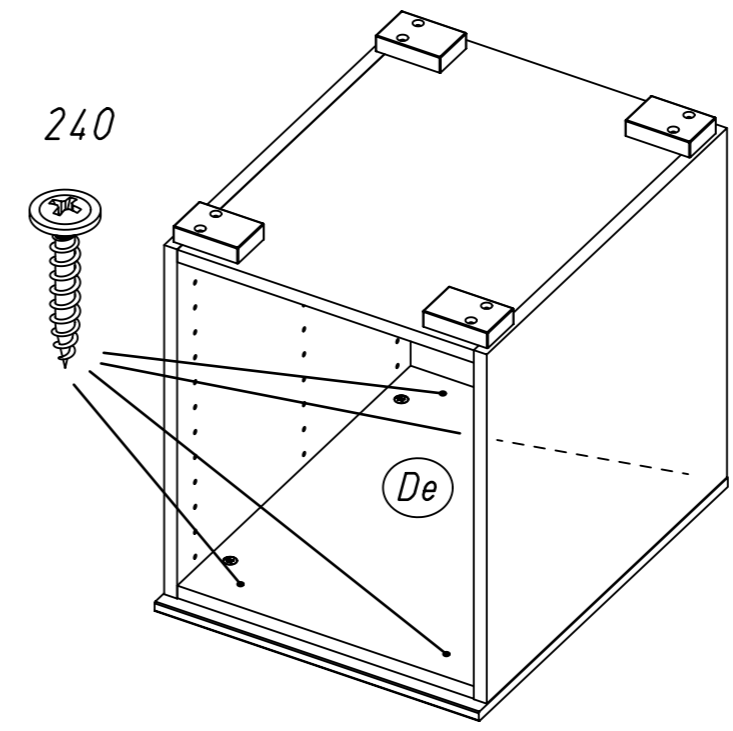
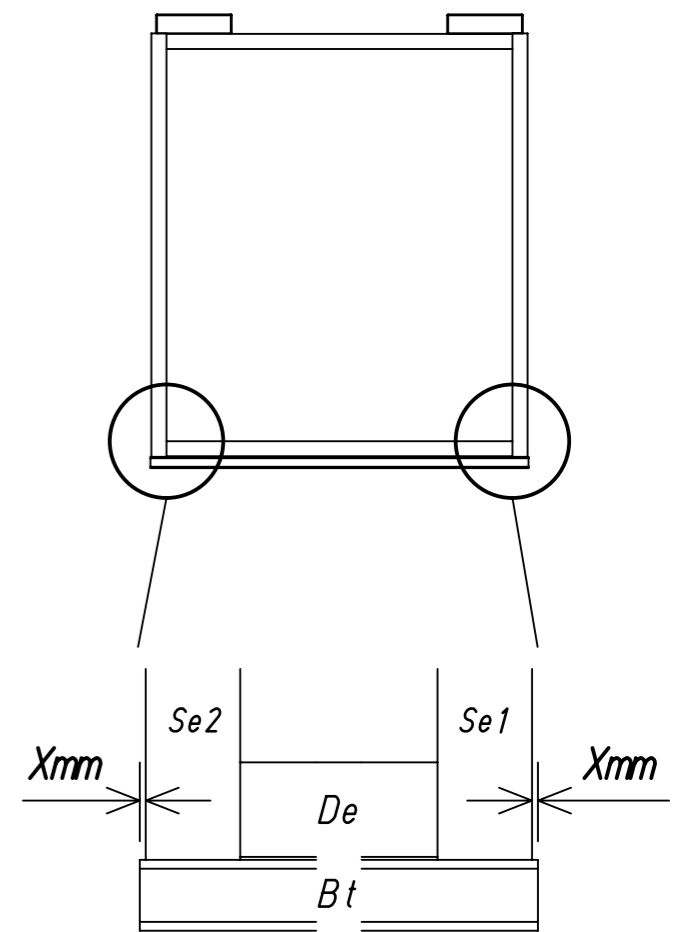
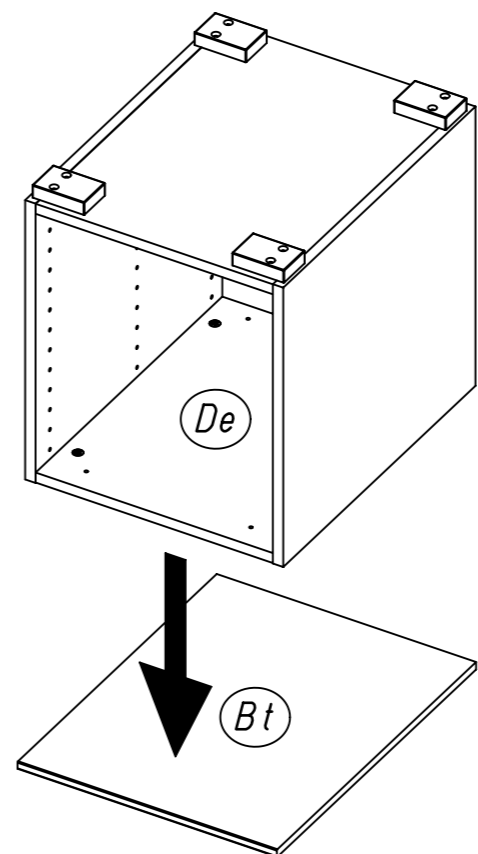
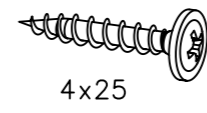
1090



11

4x

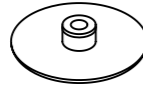
240



12

8x

449



ø18

